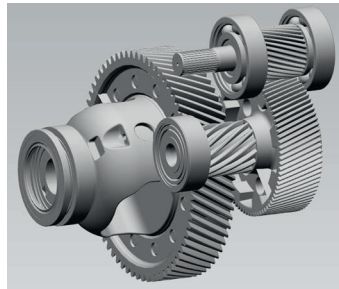
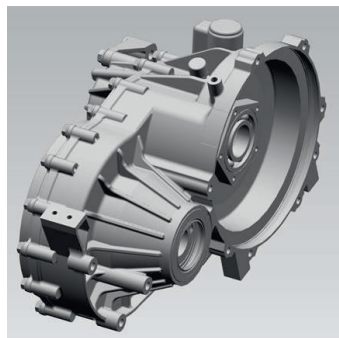
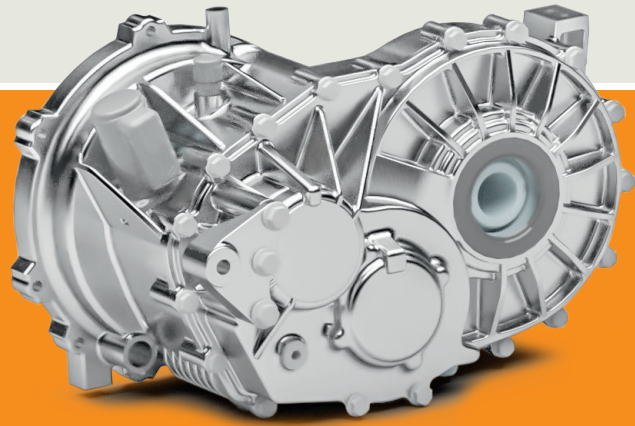


eDrive



Technical specifications

Peak power	200 kW
Peak torque	400 Nm
Maximum speed	16000 rpm

Transmission

3 axis single-speed architecture	
Available Ratio	11,8 / 13,1
Output torque	5000 Nm
Transmission weight	< 36kg
Center distance	185 mm
Packaging	242/460/288 mm
Park system with electric actuator	Optional
Lubrication	Splash
Additional pump for counter clockwise applications	Optional

Vehicle

Gross vehicle Weight	up to 4200 kg
----------------------	---------------

These specifications are corresponding to the current design PUNCH Powerglide is working on. E-motor and inverters are not part of the defined supply content.

Design can be adapted based on customer specific requirements and platform specifications. An integrated solution could be derived from it if requested. eDrive architecture can be developed based on customer needs (2 speed architecture ...).